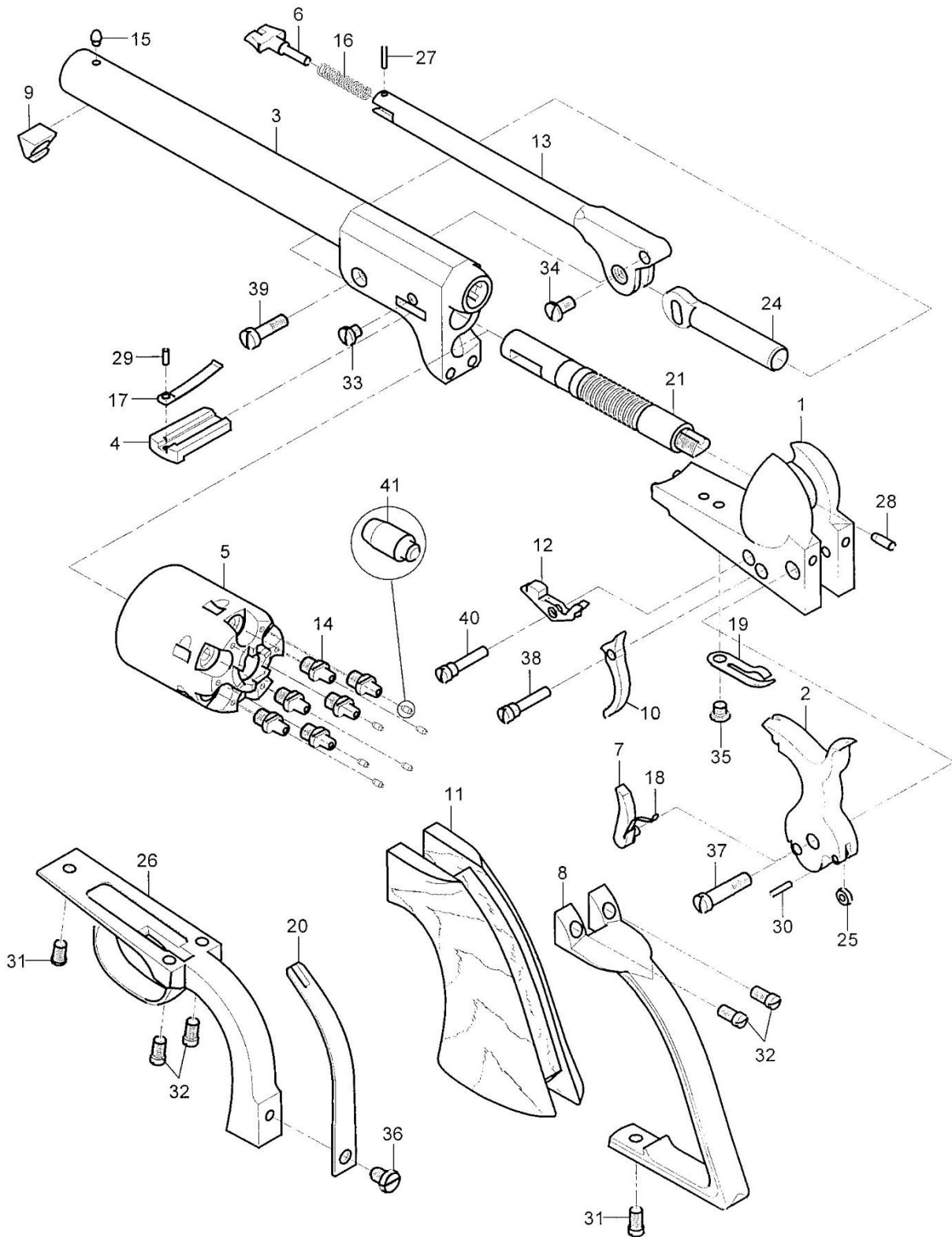


# 1851 NAVY LEECH & RIGDON



# 1851 NAVY LEECH & RIGDON

#	Code	Q.ty	Description
1	A0000001	1	Frame Assembly
2	A0000002	1	Hammer Assembly
3	0003003	1	Round Barrel .36
4	A0000004	1	Wedge Assembly
5	A0000005	1	.36 Cylinder Assembly
7	A0000007	1	Hand Assembly
8	0000008	1	Civil Brass Backstrap
9	0000009	1	Barrel Stud
10	0000010	1	Trigger
11	0000011	1	Grip - Brass
12	0000012	1	Bolt
13	A0000013	1	7.1/2" Loading Lever Assembly
15	0000015	1	Sight
19	0000019	1	Trigger Bolt Spring
20	0000020	1	Mainspring
24	0000024	1	Plunger
26	0000026	1	Civil Brass Triggerguard
28	0000028	1	Cylinder Lock Pin
31	0000031	2	Trigger Guard Screw
32	0000032	4	Rear Backstrap Screw
33	0000033	1	Wedge Screw
34	0000034	1	Plunger Screw
35	0000035	1	Screw
36	0000036	1	Mainspring Screw
37	0000037	1	Hammer Screw
38	0000038	1	Trigger Screw
39	0000039	1	Loading Lever Screw
40	0000040	1	Bolt Screw



