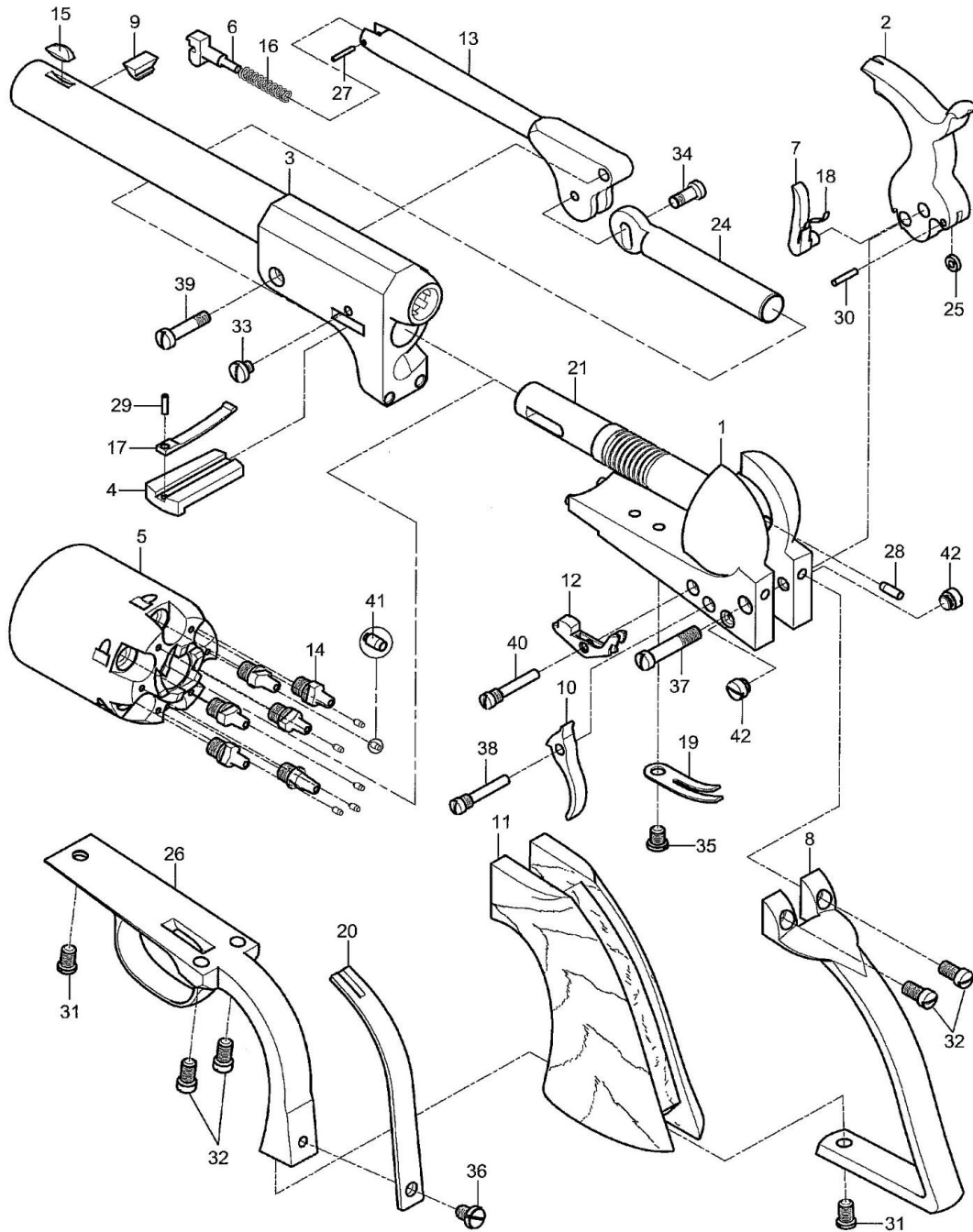


1851 DRAGOON 3rd Model

– with screws and cuts for detachable military shoulder stock –



1851 DRAGOON 3rd Model

– with screws and cuts for detachable military shoulder stock –

#	Code	Q.ty	Description
1	A0082001	1	Military Frame Assembly
2	A0081002	1	Hammer Assembly
3	0080003	1	Barrel 7.1/2" .44
4	A0080004	1	Wedge Assembly
5	A0081005	1	.44 Cylinder Assembly
7	A0080007	1	Hand Assembly
8	0082008	1	Backstrap
9	0080009	1	Barrel Stud
10	0080010	1	Trigger
11	0080011	1	Grip
12	0081012	1	Bolt
13	A0080013	1	Loading Lever Assembly
15	0040015	1	Sight
19	0080019	1	Trigger Bolt Spring
20	0081020	1	Mainspring
24	0080024	1	Plunger
26	0082026	1	Civil Triggerguard
28	0000028	1	Cylinder Lock Pin
31	0080031	2	Front Trigger Guard Screw
32	0080032	4	Rear Backstrap Screw
33	0080033	1	Wedge Screw
34	0080034	1	Plunger Screw
35	0080035	1	Trigger Bolt Spring Screw
36	0000036	1	Mainspring Screw
37	0080037	1	Hammer Screw
38	0080038	2	Trigger Screw
39	0080039	1	Loading Lever Screw
40	0080040	1	Bolt Screw
42	0040042	2	Shoulder Stock Screw