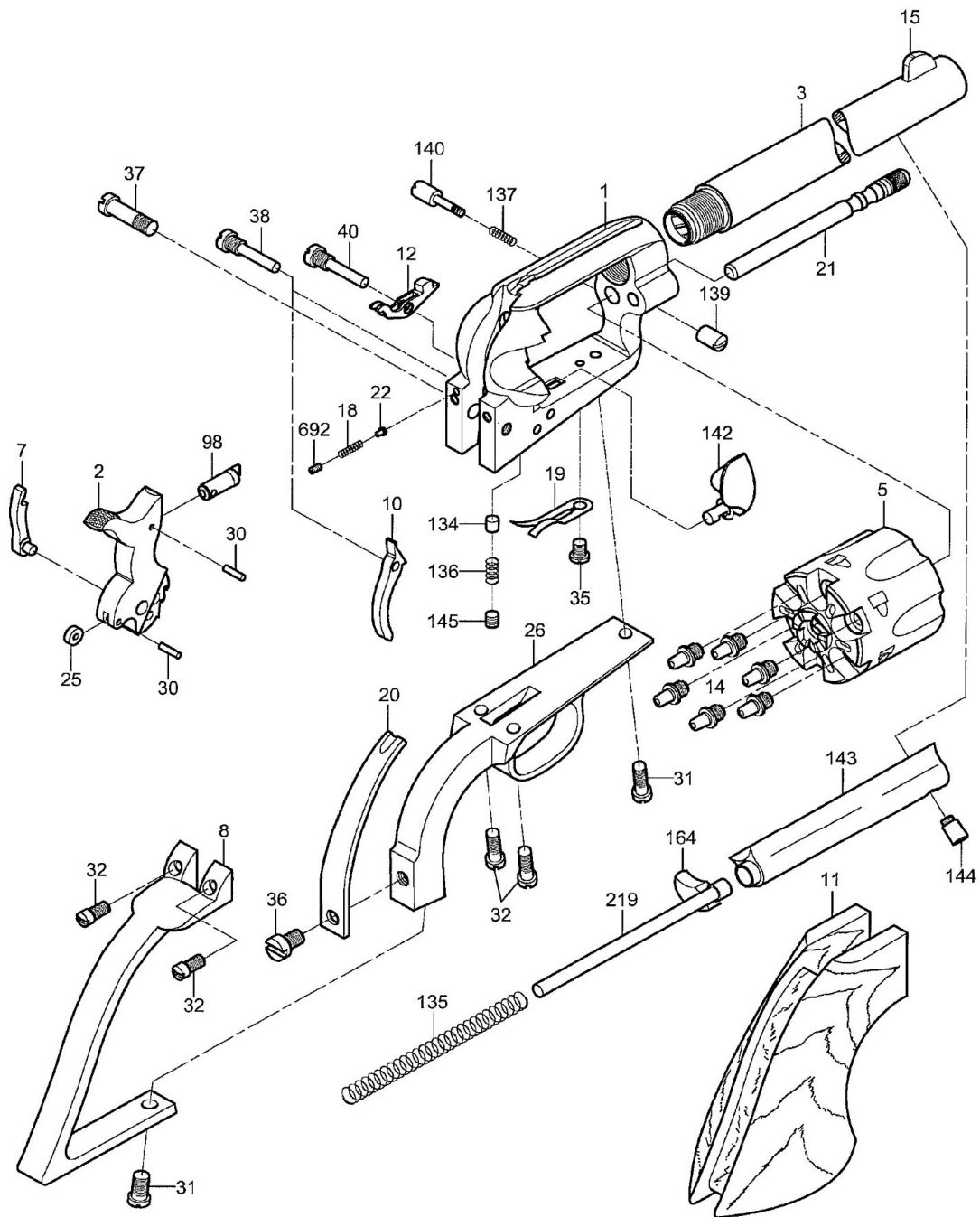


# 1873 CATTLEMAN NEW MODEL Black Powder



# 1873 CATTLEMAN NEW MODEL Black Powder

#	Code	Q.ty	Description
1	A0448001	1	New Model Black Powder Frame Assembly
2	A0448002	1	Black Powder Hammer Assembly
3	0448003	1	Barrel .44 Black Powder
5	A0448005	1	.44 Black Powder Cylinder Assembly
7	0400007	1	Hand
8	0000008	1	Civil Brass Backstrap
10	0400010	1	Trigger
11	0000011	1	Grip - Brass
12	0400012	1	Bolt
15	0410015	1	Front Sight .45
18	0400018	1	Hand Spring -Coil Type
19	0000019	1	Trigger Bolt Spring
20	0000020	1	Mainspring
21	0448021	1	Base Pin NM Black Powder
22	0400022	1	Hand Spring Pin
26	0000026	1	Brass Triggerguard
31	0000031	2	Trigger Guard Screw
32	0000032	4	Rear Backstrap Screw
35	0000035	1	Screw
36	0000036	1	Mainspring Screw
37	0400037	1	Hammer Screw
38	0000038	1	Trigger Screw
40	0000040	1	Bolt Screw
135	4500135	1	Ejector Spring
137	4500137	1	Base Pin Spring
139	0400139	1	Base Pin Nut
140	0400140	1	Base Pin Screw
143	0400143	1	Ejector Tube
144	0400144	1	Ejector Tube Screw
219	A0410219	1	Cattleman NM Ejector 4.3/4" .45LC Assembly
692	0400692	1	Hand Pin Screw