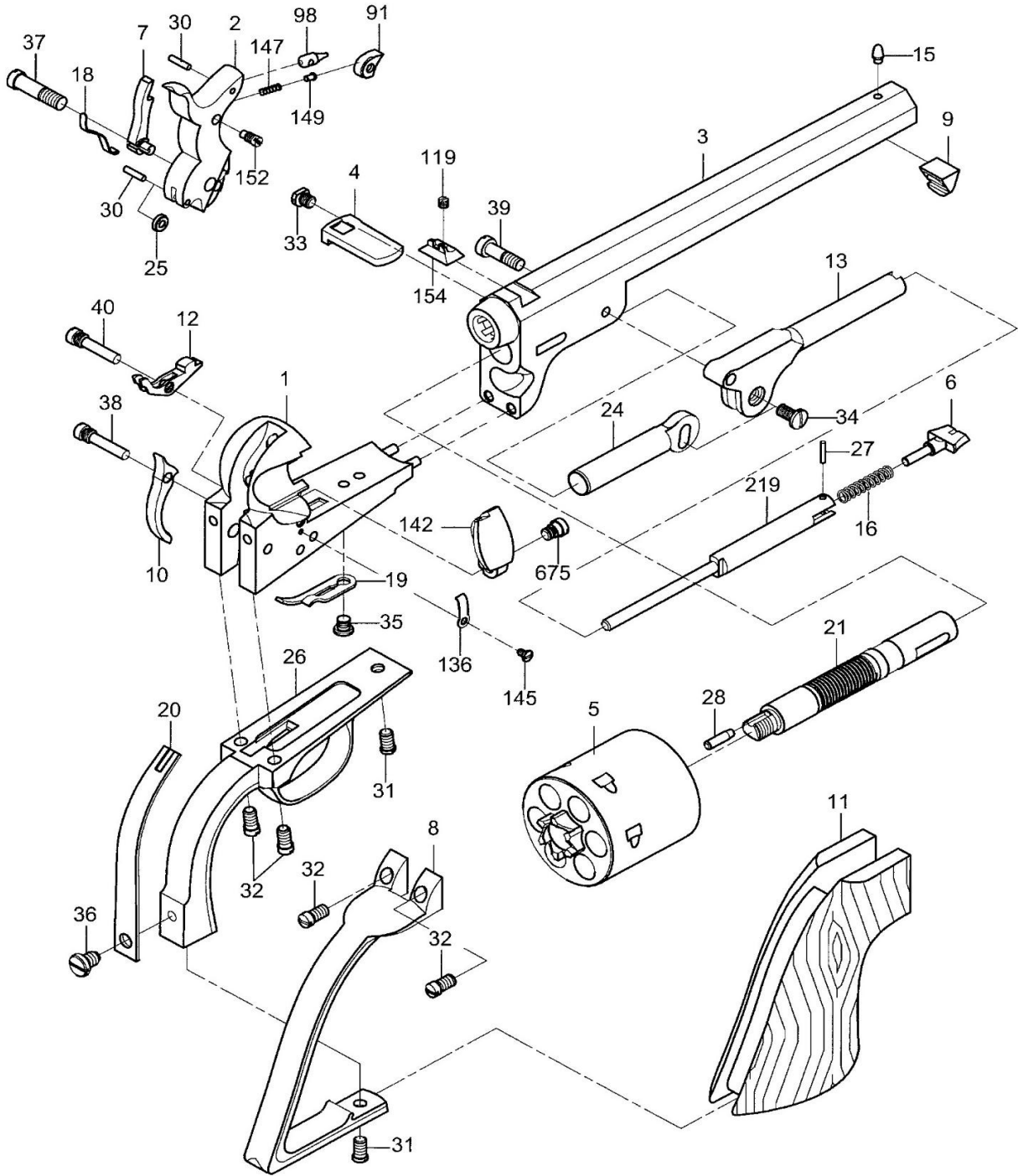


1851 NAVY RICHARDS



1851 NAVY RICHARDS

#	Code	Q.ty	Description
0	CAC09	1	Safety Wrench With Screw New Model
1	A0900001	1	Frame
2	A0900002	1	Open Top Hammer Assembly
3	9080003	1	Barrel .38 7.1/2"
4	0900004	1	Wedge
5	0903005	1	Cylinder .38Sp
7	A0900007	1	Hand
8	0000008	1	Brass Backstrap
9	0000009	1	Barrel Stud
10	0000010	1	Trigger
11	0000011	1	Grip
12	0900012	1	Bolt
13	9080013	1	Loading Lever
15	0925015	1	Sight
19	0000019	1	Trigger Bolt Spring
20	0400020	1	Main Spring
24	0000024	1	Plunger
26	0000026	1	Brass Triggerguard
28	0000028	1	Cylinder Lock Pin
31	0000031	2	Triggerguard Screw
32	0000032	4	Rear Backstrap Screw
33	0900033	2	Wedge Screw
34	0000034	1	Plunger Screw
35	0000035	1	Screw
36	0000036	1	Main Spring Screw
37	0000037	1	Hammer Screw
38	0000038	1	Trigger Screw
39	0000039	1	Loading Lever Screw
40	0000040	1	Bolt Screw
136	0900136	1	Gate Spring
142	0900142	1	Gate
145	0900145	1	Gate Catch Screw
154	9080154	1	Rear Sight Blade
219	A9080219	1	Richards-Navy Ejector 7.1/2" Assembly
692	0400692	1	Hand Pin Screw