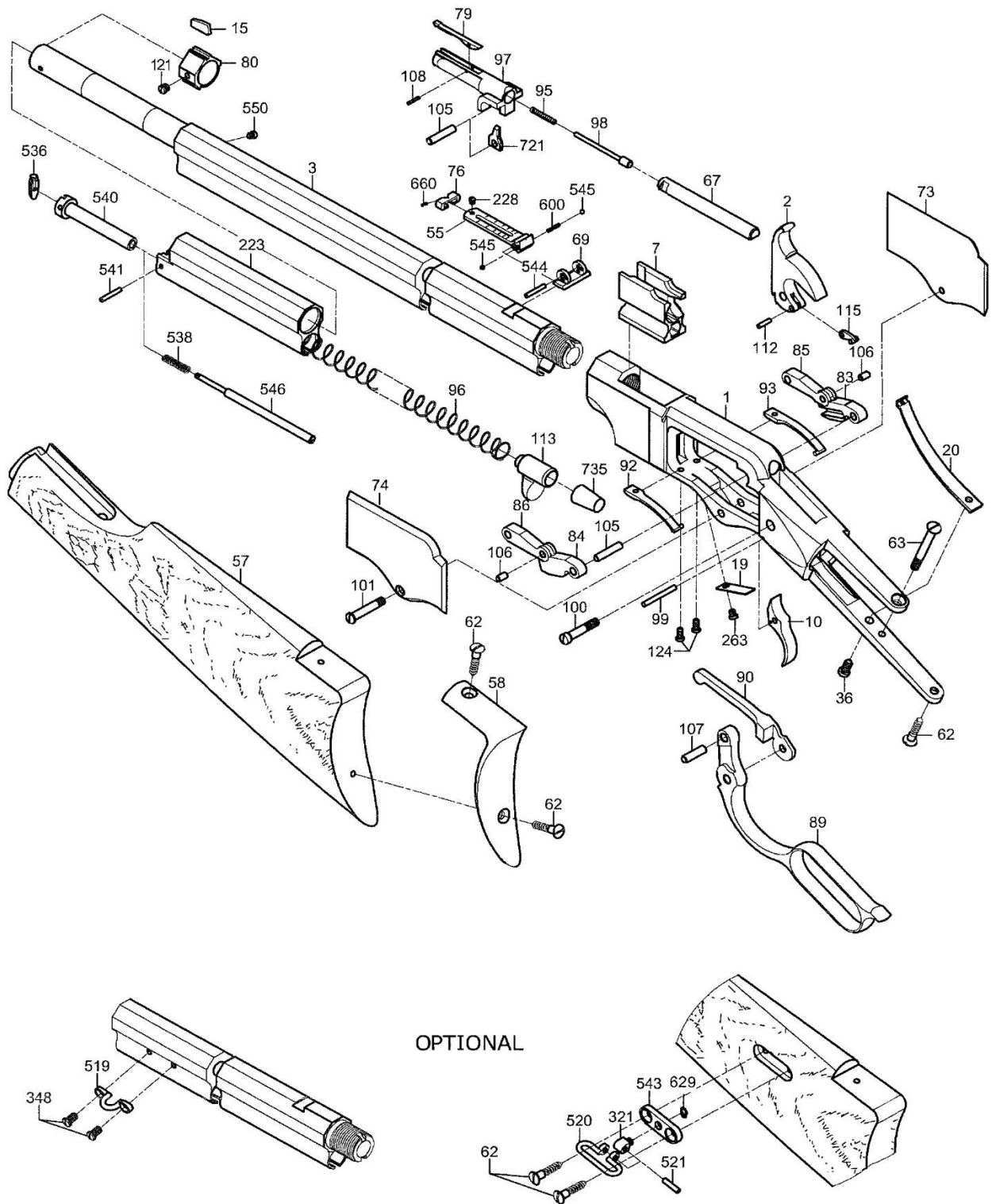


# 1860 HENRY RIFLE & CARBINE

- STEEL FRAME -



# 1860 HENRY RIFLE & CARBINE

– STEEL FRAME –

#	Code	Q.ty	Description
1	A0237001	1	Steel Frame Assembly
2	A0200002	1	Hammer Assembly
3	0239003	1	Barrel 24.1/4" .44/40 Win
7	0238007	1	Carrier Block
10	0200010	1	Trigger
15	0238015	1	Sight
19	0200019	1	Trigger Spring
20	0200020	1	Mainspring
36	0200036	1	Mainspring Screw
55	A0238055	1	Henry Rear Assembly
57	0202057	1	Rifle Butt Stock
58	0242058	1	Butt Plate
62	0200062	3	Butt Plate Screw
63	0200063	1	Tang Screw
67	0200067	1	Firing Pin Extension
80	0238080	1	Front Band
83	A0220083	1	Right Side Links - Assembly
84	A0220084	1	Left Side Links - Assembly
89	0237089	1	Lever
90	0200090	1	Lifter Arm
92	0200092	1	Right Lever Spring
93	0200093	1	Left Lever Spring
95	0070016	1	Loading Lever Latch Spring
96	0232096	1	Magazine Spring
97	A0230097	1	Breech Block Assembly .45 Colt - 44/40 Win
98	0220098	1	Firing Pin
99	0200099	1	Trigger Pin
100	0200100	1	Hammer Pin Screw
101	0200101	1	Lever Screw
105	0200105	2	Rear Link Pin
107	0200107	1	Lever Pin
113	0238113	1	Magazine Follower
121	0238121	1	Band Screw

# 1860 HENRY RIFLE & CARBINE

– STEEL FRAME –

#	Code	Q.ty	Description
124	0200124	2	Lever Spring Screw
223	A0238223	1	Henry Sleeve Assembly
263	0200263	1	Trigger Spring Screw
536	0238536	1	Sleeve Latch
538	0238538	1	Sleeve Latch Rod Spring
541	0238541	1	Sleeve Tube Pin
546	0238546	1	Sleeve Latch Rod
550	0238550	1	Magazine Follower Screw
721	0220721	1	Firing Pin Extension Stop
735	0238735	1	Plastic Buffer