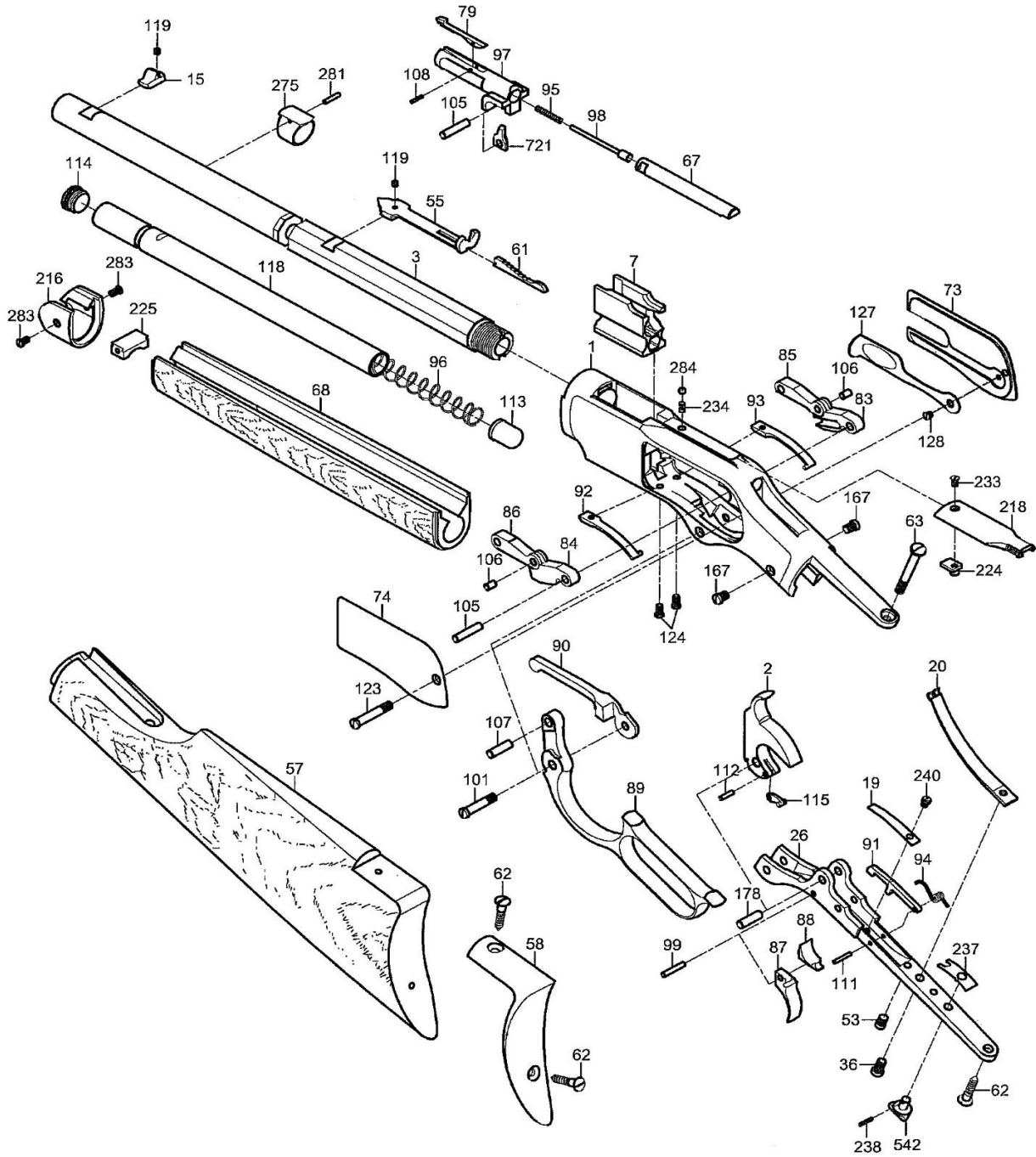


1873 RIFLE

- HALF OCTAGONAL BARREL -



1873 RIFLE

- HALF OCTAGONAL BARREL -

#	Code	Q.ty	Description
1	A0240001	1	Frame
2	A0240002	1	Hammer
3	0266003	1	Barrel Half .45LC
7	0230007	1	Carrier Block
15	0202015	1	Sight
19	0240019	1	Trigger Spring
20	0200020	1	Main Spring
36	0200036	1	Main Spring Screw
53	0240053	1	Main Spring Adj. Screw
55	0242055	1	Rear
57	0242057	1	Butt Stock
58	0242058	1	Butt Plate
61	0242061	1	Rear Sight
62	0200062	3	Butt Plate Screw
63	0240063	1	Tang Screw
67	0240067	1	Firing Pin Extension
68	0202068	1	Forend
73	0240073	1	Right Side Plate
74	0240074	1	Left Side Plate
83	A0220083	1	Right Side Links - Assembly
84	A0220084	1	Left Side Links - Assembly
87	0240087	1	Trigger
88	0240088	1	Plain Sear
89	0240089	1	Lever
90	0200090	1	Lifter Arm
91	0240091	1	Safety Bar
92	0200092	1	Right Lever Spring
93	0200093	1	Left Lever Spring
94	0240094	1	Safety Spring
95	0070016	1	Loading Lever Latch Spring
96	0232096	1	Magazine Spring
97	A0240097	1	Breech Block Assembly .45/44
98	0220098	1	Firing Pin
99	0100051	1	Grip Pin
101	0240101	1	Lever Screw

1873 RIFLE

– HALF OCTAGONAL BARREL –

#	Code	Q.ty	Description
105	0200105	2	Rear Link Pin
107	0200107	1	Lever Pin
111	0240111	1	Safety Spring Pin
113	0230113	1	Magazine Follower
114	0230114	1	Magazine Tube Plug
118	0232118	1	Magazine Tube
119	0400692	2	Hand Pin Screw
123	0240123	1	Side Plate Screw
124	0200124	2	Lever Spring Screw
127	0240127	1	Ladle
128	0240128	1	Ladle Screw
167	0240167	2	Triggerguard Screw
178	0200107	1	Lever Pin
216	0242216	1	Forend Protection
218	0240218	1	Protection Running
224	0240224	1	Protection Running Guide
225	0202225	1	Forend Protection Bearing
233	0240233	1	Protection Running Screw
234	4500137	1	Base Pin Spring
237	0240237	1	Lever Hook Spring
238	0240238	1	Lever Hook Pin
240	0240240	1	Trigger & Lever Screw
283	0202283	2	Forend Protection Screw
284	0240284	1	Protection Running Sphere
542	0240542	1	Lever Hook
721	0220721	1	Firing Pin Extension Stop