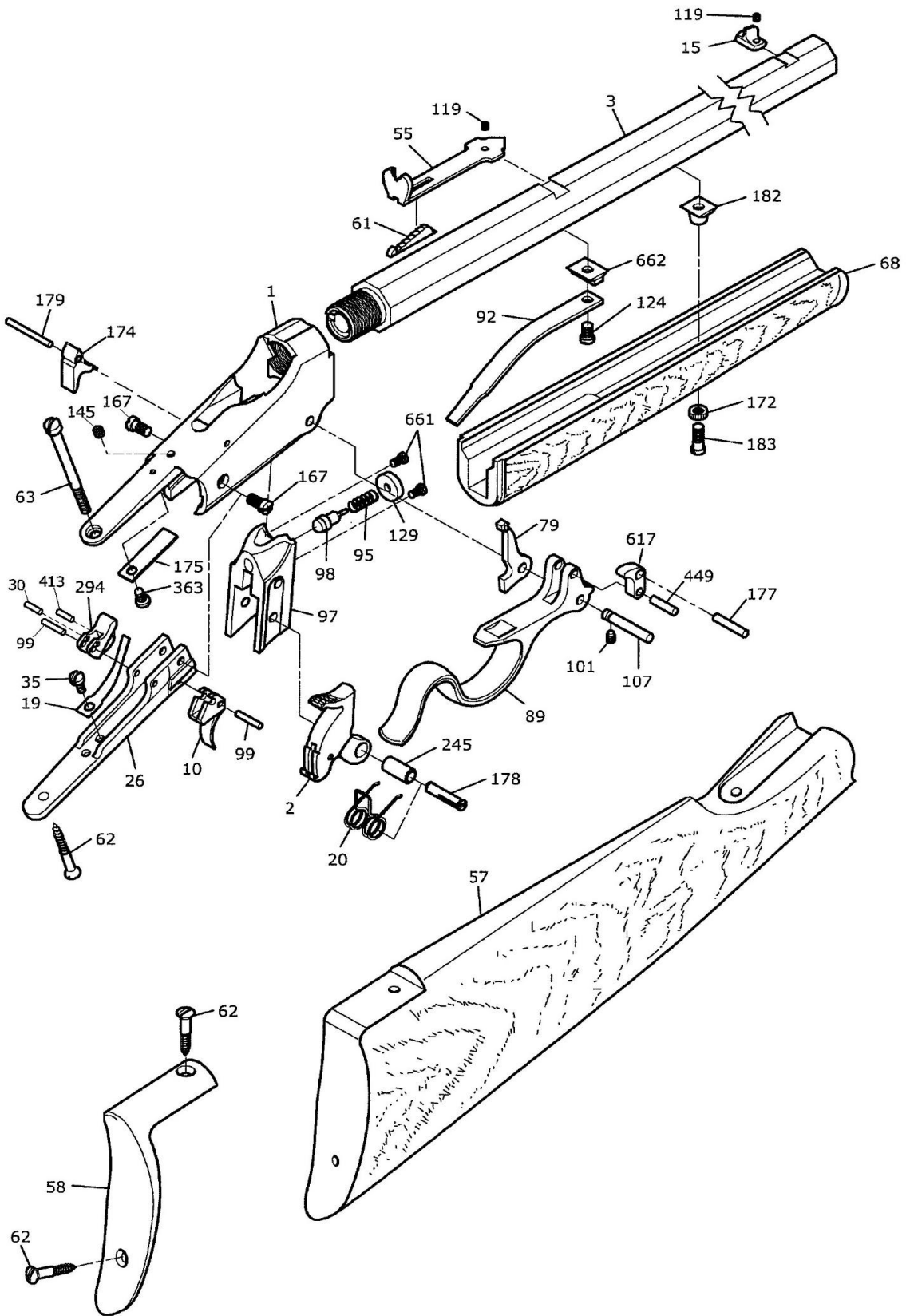


1885 SINGLE SHOT "LOW WALL" SPORTING RIFLE



1885 SINGLE SHOT "LOW WALL" SPORTING RIFLE

#	Code	Q.ty	Description
1	0849001	1	Frame
2	8250002	1	Hammer Assembly
3	0849003	1	Barrel 30" .22LR
10	0870010	1	Lower Trigger
15	0244015	1	Rifle Sight 30"
19	0870019	1	Trigger Spring
20	0870020	1	Mainspring
26	0870026	1	Trigger Housing
30	0000030	1	Roller Pin
35	0870035	1	Trigger Spring Screw
51	0850051	1	Grip Pin
55	0242055	1	Rear
57	0849057	1	Butt Stock
58	0242058	1	Butt Plate
61	0242061	1	Rear Sight
62	0200062	3	Butt Plate Screw
63	0849063	1	Tang Screw
68	0849068	1	Forend
79	0849079	1	Ejector .22Lr
89	0870089	1	Lever
92	0870092	1	Lever Spring
95	0870095	1	Firing Pin Spring
97	0849097	1	Breech Block
98	0849098	1	Firing Pin
99	0100051	2	Grip Pin
101	0870101	1	Lever Screw
107	0870107	1	Lever Pin
119	0400692	1	Hand Pin Screw
124	0870035	1	Trigger Spring Screw
129	0849129	1	Firing Pin Bearing
145	0400145	1	Gate Catch Screw
167	0870167	2	Trigger Guard Screw
172	0130172	1	Forend Nut

1885 SINGLE SHOT "LOW WALL" SPORTING RIFLE

#	Code	Q.ty	Description
174	0870174	1	Sear
175	0870175	1	Sear Spring
177	0870177	1	Block Pin
178	0870178	1	Hammer Pin
179	0870179	1	Sear Pin
182	0870182	1	Tenon
183	0870183	1	Forend Screw
245	0870245	1	Distance Ring
294	0870294	1	Lower Trigger
363	0870363	1	Sear Spring Screw
413	9980732	1	Sear Spring Pin
617	0870617	1	Conn. Rod
661	0870661	2	Firing Pin Bearing Screw
662	0870662	1	Lever Spring Plaque