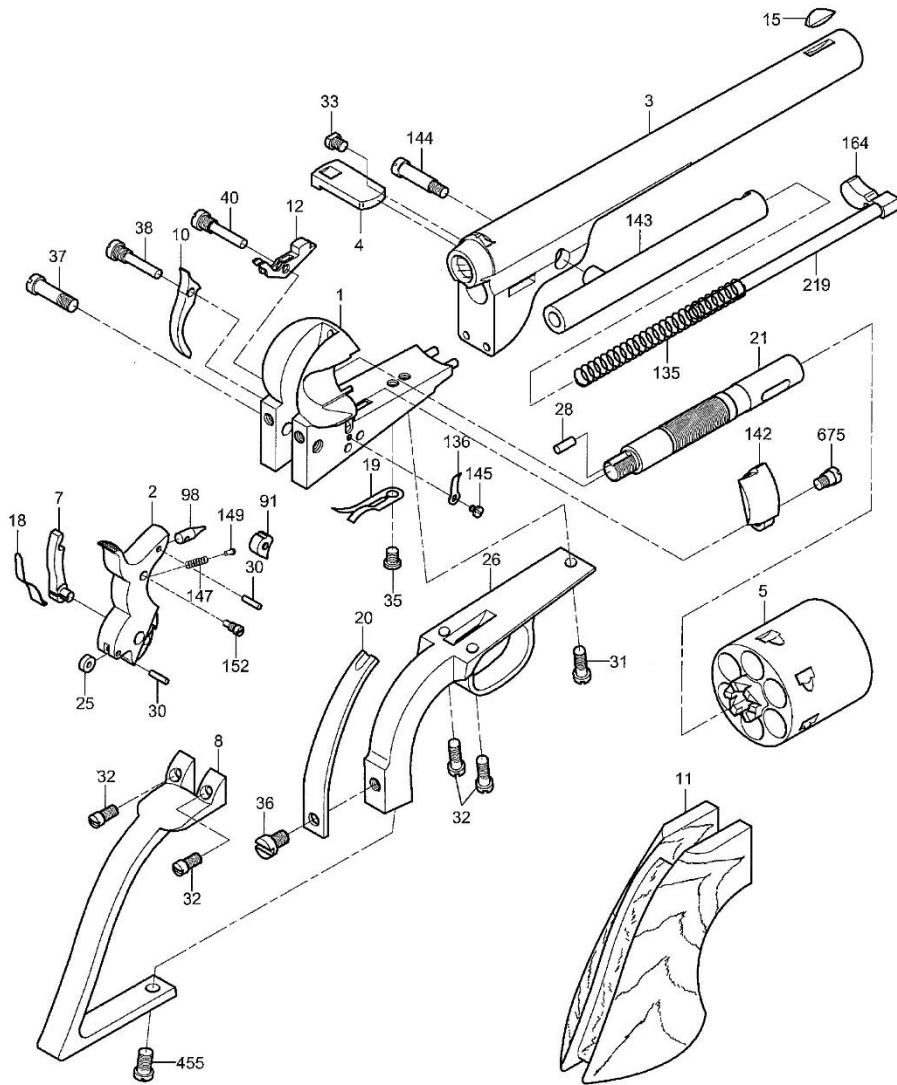


1872 Open Top

— LATE MODEL —



#	Code	Q.ty	Description
1	A0900001	1	Frame Assembly
2	A0900002	1	Hammer Assembly
3	0902003	1	7 1/2" Barrel
4	0900004	1	Wedge
5	0916005	1	Cylinder
7	A0900007	1	Hand Assembly
8	0047008	1	Steel Backstrap
10	0000010	1	Trigger
11	0360011	1	Grip
12	0900012	1	Bolt
15	0900015	1	Sight
19	0000019	1	Trigger Bolt Spring
20	0000020	1	Mainspring
26	0360026	1	Triggerguard
28	0000028	1	Cylinder Lock Pin
31	0000031	4	Triggerguard Screw
32	0000032	2	Rear Backstrap Screw
33	0900033	1	Wedge Screw
35	0000035	1	Screw
36	0000036	1	Main Spring Screw
37	0000037	1	Hammer Screw
38	0000038	1	Trigger Screw
40	0000040	1	Bolt Screw
136	0900136	1	Gate Spring
142	0900142	1	Gate
143	A0900143	1	Ejector Rod Tube Assembly
144	0900144	1	Ejector Rod Tube Screw
145	0900145	1	Gate Catch Screw
455	0040455	1	Connecting Screw